



## Pilous

Železná 9, 619 00 Brno, Czech Republic

Tel.: +420 543 25 20 10

e-mail: [wood@pilous.cz](mailto:wood@pilous.cz), [www.pilous.cz](http://www.pilous.cz)

## CTR 550 MOBIL



3110 x 27-35 x 0,9 mm

Max. log diameter	550 mm
Max. opening between blade guides	400 mm
Max. elevation of blade	465 mm
Min. log height	20 mm
Max. depth of cut	200 mm
Max. log length	4,35 m
Min. log length	0,9 m
Length extending section	2,25 m
Total length of the machine including the trailer	6.489 mm
Sawmill motor	4 kW
Sawblade	3110 x 27÷35 x 0,9 mm
Trailer weight	385 kg
Total weight of the machine including the trailer	550 kg
Extending section weight	98 kg

**Nominal current of circuit breaker is minimally 16 Ampere**

## DESCRIPTION

**Feed into the cut and back - hand-operated**

**Arm height adjustment - manual**

**Control panel - on a mobile bridge**

**Log handling - manual**

**Maximal log length - 4,35 m**

The machine is mounted on a stable trailer that allows easy transport of the machine to the sawing location.

The total weight of CTR 550 mobil with a trailer is 550 kg.

**Check your vehicle's registration card for the maximum permissible trailer weight!**

The trailer is fitted with six robust, infinitely adjustable support legs. These ensure stability both when loading and handling the log and during the sawing itself. Easy loading of the log onto the loading area of the machine using a manual winch and a ramp for log loading (accessory). The trailer is homologated, including complete machine. The standard length can be extended using the Mobil extending section, see accessories.

The trailer is single-axle and non-braked. The delivery also includes a waterproof tarpaulin, protecting the bridge with the sawmill arm from rain during transport or parking. For secure fastening, the tarpaulin is fitted with grommets and a steel cable with ends allowing the use of a padlock. The maximum permissible speed is 130 km/h.

The smallest mobile sawmill in the offer. It is designed primarily for cutting smaller volumes of lumber. Ideal solution for family farms or small sawmilling companies. Very simple hand feed into the cut and back. The control panel is placed on a mobile bridge of the sawmill arm. Thanks to that the operator has closer access to the workpiece when cutting. Height is adjusted using a hand crank with adjustable scale.

Total power input of the machine of 4 kW guarantees low operating costs and easy connection to mains. The solidly mounted drive wheel is driven via a V-belt by a professional Honda petrol engine. Mechanical clutch lever enables an easy start of the engine and removal of the engine from the saw blade when the cut had finished.

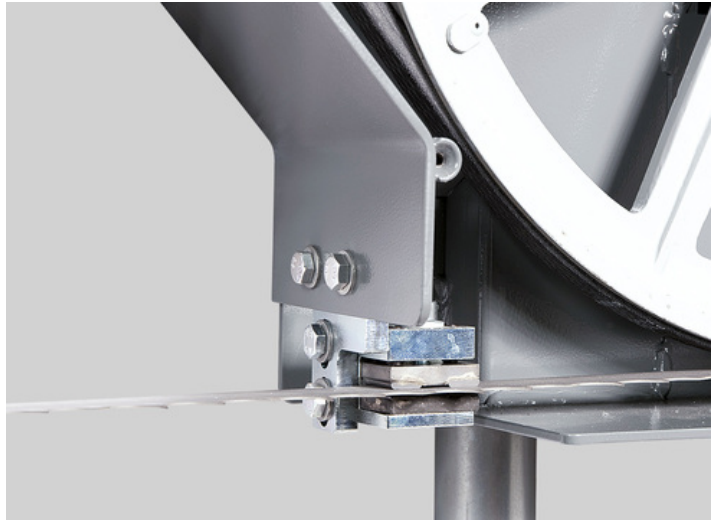
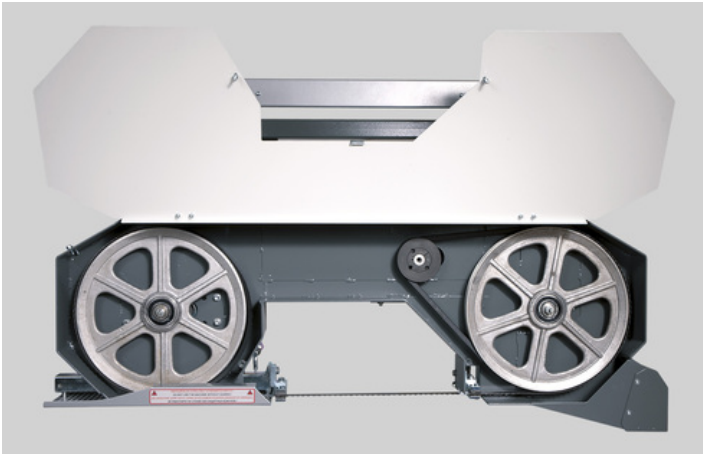
The tensioning wheel system moves in a cast iron guide, which guarantees long service life and precision adjustment even with long-term use of the machine. The arm is fitted with aluminium running wheels with precise anti-vibration balancing. The circumference of the wheel has a recessed groove in which a replaceable rubber-textile V-belt is fitted, which forms the contact surface between the wheel and the saw blade. The stability of the machine is based on solid steel travel sections, which ensure optimum guidance of the sawmill bridge. The travel sections are fitted with tilting angle bars and log clamps/cam dogs.

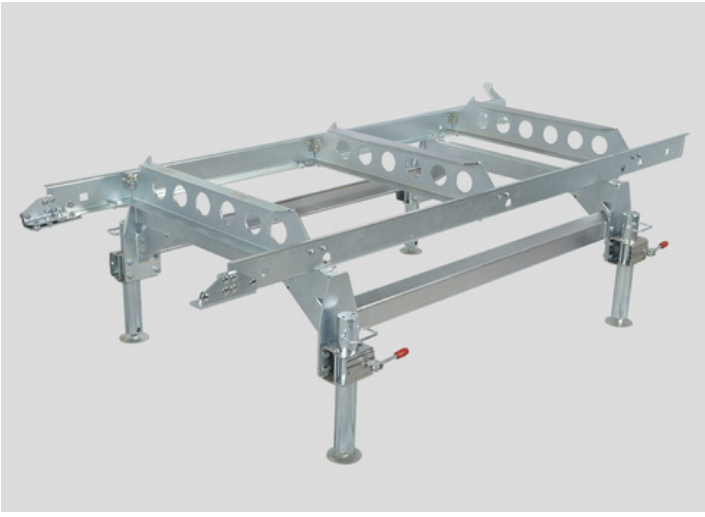
The samill CTR 550 mobil uses standard sawmill blades 27-35 x 0.9 mm as with the fully professional models.

The CTR model series represents the latest trends in log-cutting sawmill design, with special emphasis on maximum accuracy and long service life at minimum cost. The machines are designed in an original modular way, which allows easy replacement or adjustment of all main technical nodes and their individual parts. This significantly reduces maintenance costs in the long-term use of the machine and also reduces service times, thus reducing production downtime.

All pictures shown are for illustration purpose only. Actual product may vary due to product enhancement.

PHOTOGALLERY





## ACCESSORIES

### ACCESSORIES – SPECIAL ACCESSORIES



**Extending section  
2,25m Mobile**

**Extending section Mobil 2,25 m**  
The cutting length of one section is 2.25 metres and the sections can be connected to each other. It can extend the total cutting length of mobile log band saws. The extending section consists of a very stable support structure that holds travel sections of the same design as those on the trailer. The Mobil extending section is fitted with four sturdy, continuously adjustable support legs. These ensure stability both when loading and handling the log and during the sawing itself. The Mobil extending section forms a separate unit. **Due to its weight, it must not be transported on the trailer.** It must be transported separately, either as a whole or disassembled.



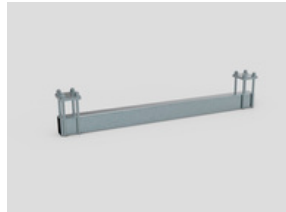
**Saw blade tension  
indicator**

**Saw blade tension indicator**  
Ensures accurate tensioning of the saw blade to a required value according to the pressure gauge and its control during the use of the machine. Optimum tensioning of the saw blade is essential for its service life and cutting accuracy.



**Log loading kit-  
mobil**

**Log loading kit (ramp with winch)**  
Allows logs to load on the trailer. Include a ramp and winch.



**Additional winch  
holder**

**Additional winch holder**  
The auxiliary winch holder saves your time if you frequently change the length or conicalness of the log being cut. You no longer need to move the base winch holder.



**Log turner - hook**

**Log turner - hook**  
When attached to the rope winch, it facilitates log turning.



**Cant hook**

**Cant hook**  
Serves as help with manipulation with logs on machine frame.



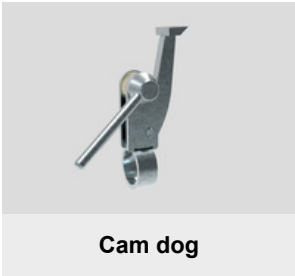
**Clamp with tilting  
angle bar**

**Clamp with tilting angle bar**  
Additional clamping kit. It consists of the clamp and a tilting angle bar.



**Additional clamp**

**Additional clamp**



**Cam dog**

**Cam dog**  
For fast and easy squared  
lumber clamping.



**Grease Gun**

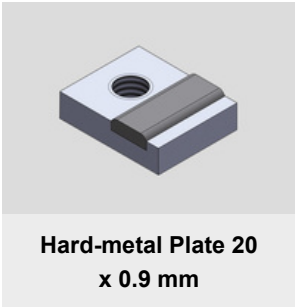
**Grease Gun**  
For regular maintenance of the  
machine according to the lubrication  
plan. Metal grease gun for 400g  
tubes. Equipped with a flexible  
pressure hose.



**Synthetic Grease LV  
2-3**

**Synthetic Grease LV 2-3**  
400g tube for the grease gun.

## ACCESSORIES – CONSUMABLE PARTS



**Hard-metal Plate 20  
x 0.9 mm**

**Hard-metal plate 20 x 0.9 mm**



**Hard-metal Plate 12  
x 4 mm**

**Hard-metal plate 12 x 4 mm**

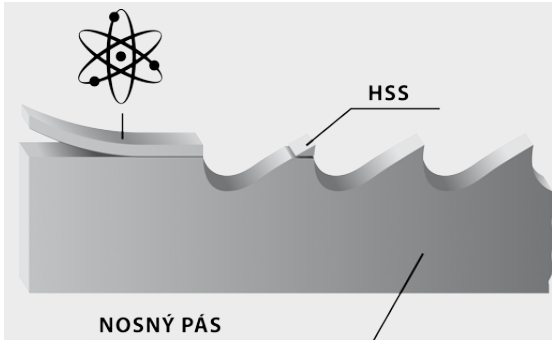


**Running Wheel V-  
belt SPB 1500  
Driven Wheel V-belt  
B 17x1220 Li**

**Running wheel V-belt SPB 1500  
Driven Wheel V-belt 17x1220 Li**

# MAXWOOD

- The original sawmill blades PILOUS MAXwood are available in a variety of types which enables you to process any kind of wood.
- The wide product range not only offers more affordable sawmill blades for low-volume cutting, but includes also sawmill blades for fully professional cutting and utmost performance.
- The foundation of all sawmill blades are top-quality German materials and precise workmanship. The quality of the sawmill blades is carefully monitored. All sawmill blades correspond to the strict ISO 9001 norm.
- We have added to our portfolio also an original Munkfors sawmill blade made by the world's leading manufacturer Uddeholm from Sweden.
- Pilous sawmill blades are used in dozens of countries around the world. Any wood you cut, the company Pilous will recommend you a sawmill blade that will fit your needs.



## BiMetal

Sawmill blade with tool steel teeth - completely eliminates the need to sharpen the sawmill blade as well as frequent blade replacement. Use: soft, hard to extremely hard wood.

## HSS

Bearing blade

## Stellite

Sawmill blade with teeth made of Stellite. Tooth setting is completely unnecessary. Use: soft, hard to extremely hard wood.

## Carbon spring steel

The most common sawmill blade for optimum price/performance ratio. Use: soft and hard wood.



Be careful when unpacking welded sawmill blades. They are in a shipping container in tensioned condition. Remove the sawmill blade cover only after fitting it onto the machine.

